

Student Chair

- 0930000 (14 lbs.)(7 kg)
- High impact, $\frac{1}{8}$ " (3 mm) thick textured polypropylene seat and back.
- Patented music posture design, with seat pan rise of $4\frac{1}{2}^\circ$ above thigh area, and a thigh to backrest angle of 97° , allowing musicians to sit in a posture equivalent to standing, thus freeing the diaphragm.
- 16-gauge $\frac{7}{8}$ " (22 mm) square tube frame, designed and welded to give support around entire outer edge of both seat and back.
- Available in heights of 16" (41 cm), $17\frac{1}{2}$ " (44 cm), $18\frac{1}{2}$ " (47 cm).
- Seat and back available in five colors: Wedgewood, Oatmeal, Raspberry, Black, Oyster.
- Frame colors: Grey Metallic, Black and Chrome.
- Chairs stack for compact storage.
- Leg tips are self-leveling plastic cushioned glide with nickel plated steel.
- Three-year warranty.

OPTIONAL ACCESSORIES:

Folding Tablet Arm

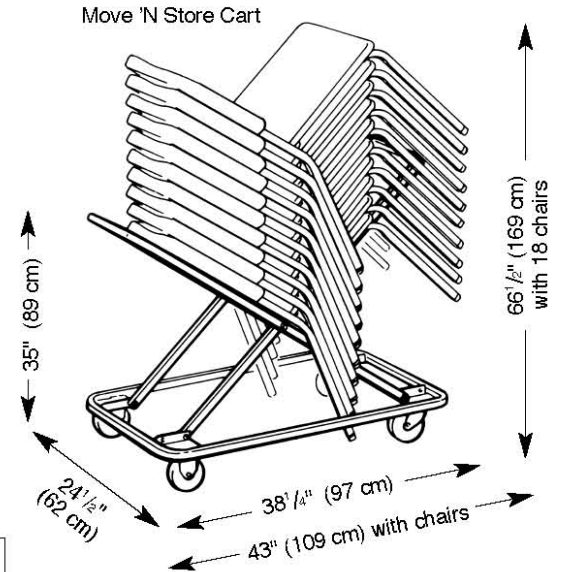
- Right-hand: 0939014 (8 $\frac{1}{2}$ "lbs.)(4 kg) Left-hand: 0939015 (8 $\frac{1}{2}$ "lbs.)(4 kg)
- Grey Pebble laminate surface, 13 $\frac{3}{4}$ "x 17" (34 cm x 43 cm).
- Chairs can not stack with tablet arm attached.

Book/Music Storage Rack

- Side-mount: 054A050 (2 lbs.)(1 kg); Under-chair: 054B286 (2 lbs.)(1 kg)
- Chairs can not stack with storage rack attached.

Move 'N Store Cart

- 054C161 (30 lbs.)(14 kg)
- Stack, move and store up to 18 Student Chairs.
- Steel construction with easy-roll casters.



CHAIR HEIGHT	A	B	C	D
16" (41 cm)	16" (41 cm)	21 $\frac{1}{2}$ " (55 cm)	19 $\frac{3}{4}$ " (50 cm)	32" (81 cm)
17 $\frac{1}{2}$ " (44 cm)	17 $\frac{1}{2}$ " (44 cm)	22" (56 cm)	19 $\frac{3}{4}$ " (50 cm)	33 $\frac{1}{4}$ " (84 cm)
18 $\frac{1}{2}$ " (47 cm)	18 $\frac{1}{2}$ " (47 cm)	22 $\frac{1}{4}$ " (57 cm)	19 $\frac{3}{4}$ " (50 cm)	34 $\frac{1}{4}$ " (87 cm)

