

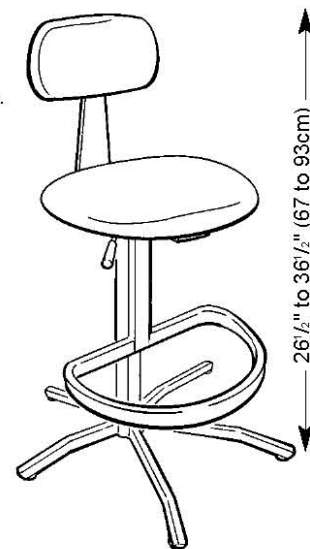
Conductor's System



Wenger Conductor's System consists of a conductor's chair, stand and podium for either choral or instrumental use. Components can work together or independently.

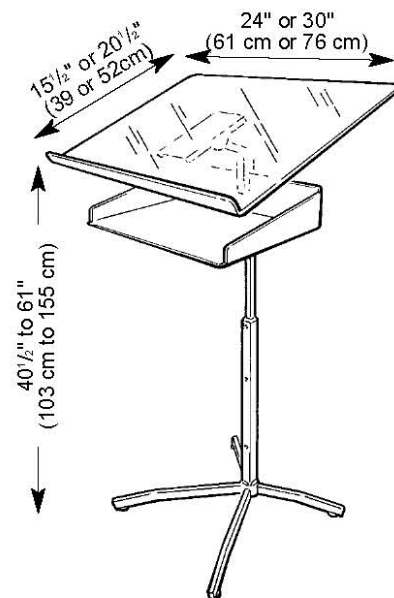
Conductor's Chair:

- 157C077 (30 lbs.) (14 kg)
- Chair frame and upright post assembly are constructed of 14-gauge steel with black powder paint finish.
- Seat and back are covered with 100% nylon commercial grade fabric over 2" (5 cm) foam padding. Standard color: charcoal mix. Available in five other colors.
- Chair adjusts with pressurized gas cylinder. Adjusts in height from 26 1/2" to 36 1/2" (67 cm to 93 cm).
- Seat has 170° swivel with locking feature.
- Seat has three pre-determined depth settings for conductor, string bass, or percussion use.
- Three-year warranty.



Conductor's Stand:

- Instrumental Polycarbonate: 159C002 (21 lbs.) (10 kg)
- Instrumental Pebble: 159D004 (36 lbs.) (16 kg)
- Choral Polycarbonate: 159C001 (19 lbs.) (9 kg)
- Choral Pebble: 159D003 (29 lbs.) (13 kg)
- Shelf: 159C008 (8 lbs.) (2 kg)
- Stand frame and upright post are constructed of 14-gauge steel with black powderpaint finish.
- Polycarbonate desk is constructed of smoked polycarbonate, and is available in two sizes: 30" wide x 20 1/2" high (76 cm x 52cm) and 24" wide x 15 1/2" high (61 cm x 39 cm).
- Wood desk has pebble finish, plywood core, and is available in two sizes: 30" wide x 20 1/2" high (76 cm x 52 cm) and 24" wide x 15 1/2" high (61 cm x 39 cm).
- Desk is adjustable to infinite angles from 0-180°.
- Lip is 1 1/2" (4 cm) high.
- Height adjusts by means of a spring-tension release lever located under the desk. Adjusts in height from 40 1/2" to 61" (103 cm to 155 cm).
- Stand has optional storage shelf. Shelf is a detachable enclosed design 20" wide x 14" deep (51 cm x 36 cm). Finish black powder paint.
- Three-year warranty.



Conductor's Podiums:

- Double: 1110302 (101 lbs.) (45 kg)
- Base: 158E002 (61 lbs.) (28 kg)
- Upper: 158E001 (42 lbs.) (19 kg)
- Podium tops are constructed of 5/8" (1.6 cm) plywood covered with 100% olefin carpet, and secured by heavy-duty steel edging. Carpet color: Grey.
- Each podium has eight black thermoplastic rubber pads on the bottom for stability.
- Upper podium has an attached swing away vinyl coated locking clamp to secure it to base podium.
- Base is constructed of 14-gauge (2 mm) steel with black powderpaint finish.
- Edging is 16-gauge (1.5 mm) steel; color: Gray.
- Front panel is designed to allow conductor's stand to slide under podium.
- Each podium has two 4" (10 cm) rubber casters recessed into front panel to move easily from room to room.
- Upper podium has 36" (91 cm) high detachable guardrail constructed of 16-gauge (1.5 mm) steel. Finish: Black powder paint.
- Overall dimensions:
Base podium: 43" wide x 38" deep x 6" high (109cm x 97cm x 15cm).
Upper podium: 32" wide x 38" deep x 6" high (81cm x 97cm x 15cm).
- Three-year warranty.

