

Bravo Music Stand

- 1020000 (10 lbs)(4.5 kg)
- Unbreakable polystyrene desk with accessory shelf available in five colors: Raspberry, Wedgewood, Black, Oyster and Oatmeal.
- Tube is permanently attached to base, eliminating wobbling or leaning.
- Base and tube available in three finishes: Grey Metallic, Black and Chrome.
- T-Tube is attached to desk with a double-anchored bracket to prevent desk from pulling off or working loose.
- 20³/₈" x 13¹/₂" (52 cm x 35 cm) desk with 19" x 2¹/₂" (49 cm x 6 cm) accessory shelf.
- Patented slider mechanism adjusts height from 24" (61 cm) to 45¹/₄" (115 cm) (desk lip to floor).
- Three-year warranty. Patented.

Accessories:

Large Music Stand Move and Store Cart

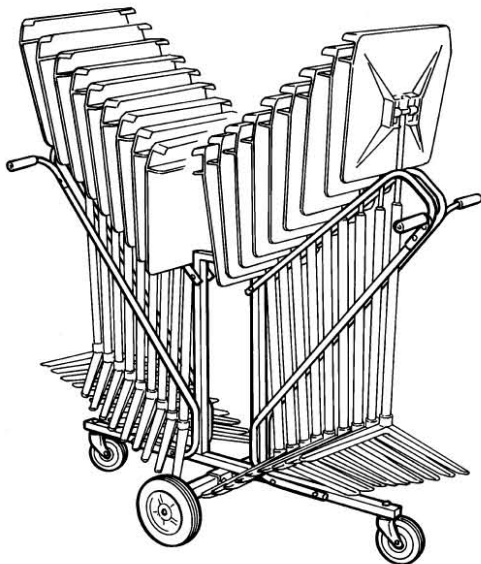
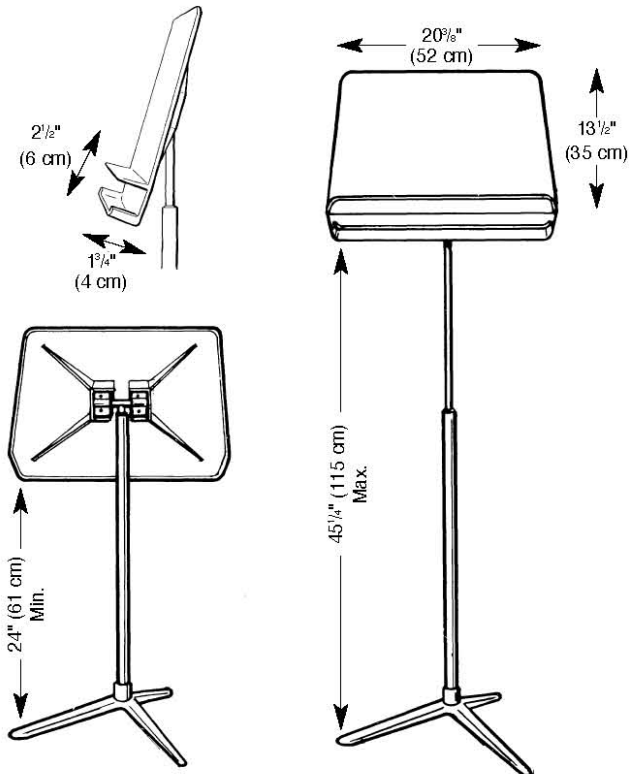
- 039A202 (38 lbs) (17kg)
- Holds 18 Bravo Music Stands.
- Large center pivot wheels for maneuverability.
- Loads and unloads from both ends.
- Zinc-plated 14-gauge 1" x 1¹/₂" (2.5 cm x 4 cm) and 16-gauge 7⁸/₁₆" (2 cm) steel tubing with 8" (20 cm) wheels and 5" (13 cm) heavy-duty casters.
- Stores compactly in 26" x 68" (66 cm x 173 cm) floor space. Allow 60" (153 cm) for height.

Small Music Stand Move and Store Cart

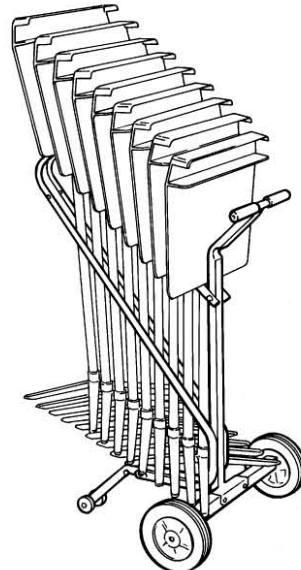
- 039A201 (21 lbs) (9.5 kg)
- Holds 9 Bravo Music Stands.
- Two-wheel cart design allows transport up and down stairs.
- Zinc-plated 14-gauge 1" x 1¹/₂" (2.5 cm x 4 cm) and 16-gauge 7⁸/₁₆" (2 cm) steel tubing with 8" (20 cm) heavy-duty wheels.
- Stores compactly in 26" x 36" (66 cm x 91 cm) floor space. Allow 60" (153 cm) for height.

Music Stand Light

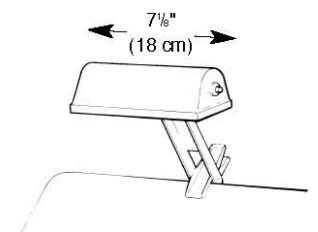
- 1090001 (14 oz) (.4 kg)
- Clips securely onto music stand.
- 6' (183 cm) cord and 40-watt bulb included.
- Black texture finish.



Large Move and Store Cart



Small Move and Store Cart



Music Stand Light